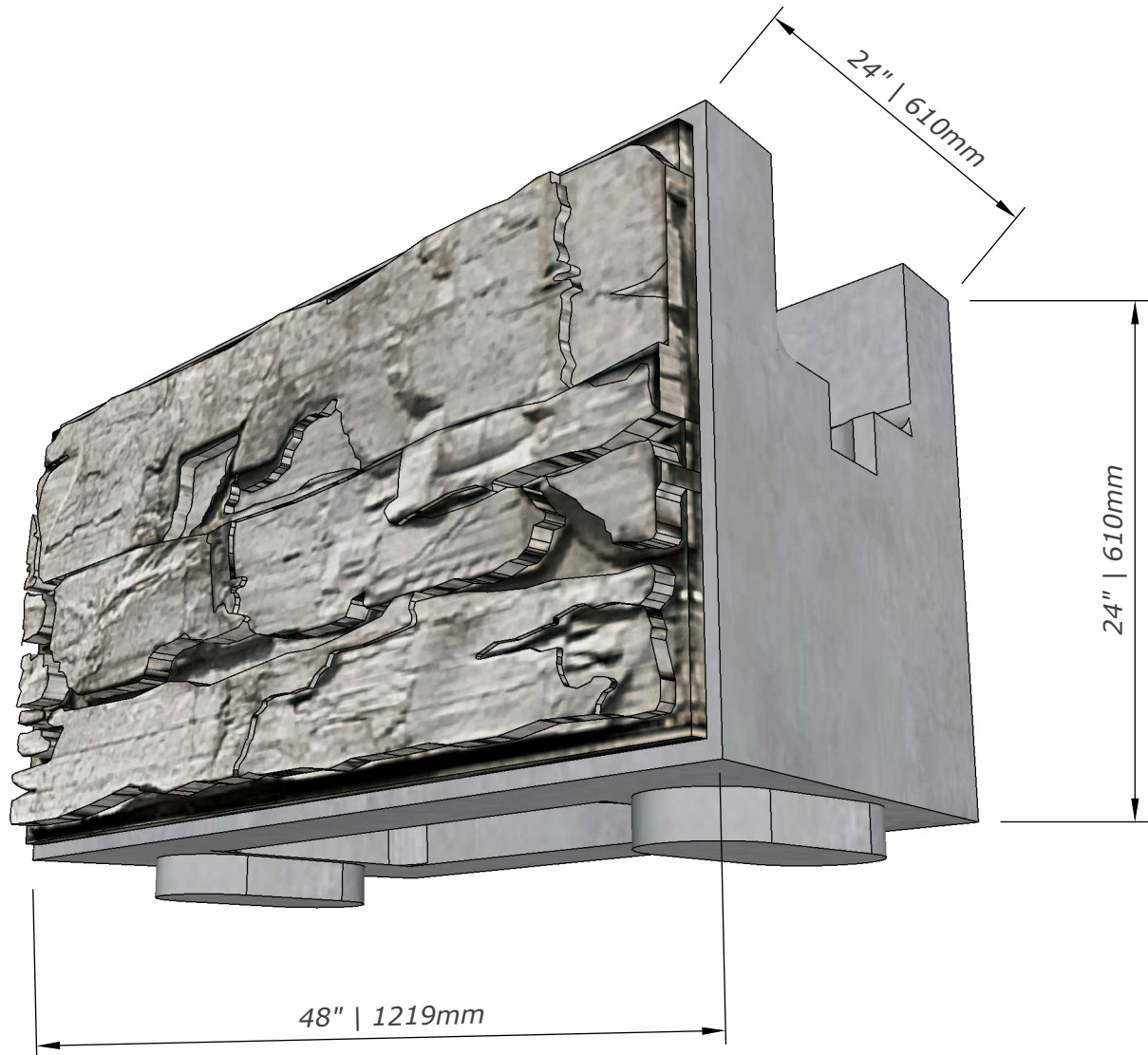
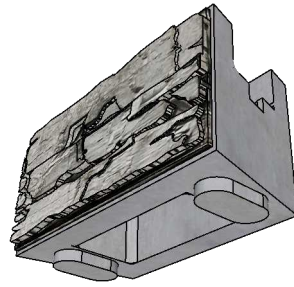
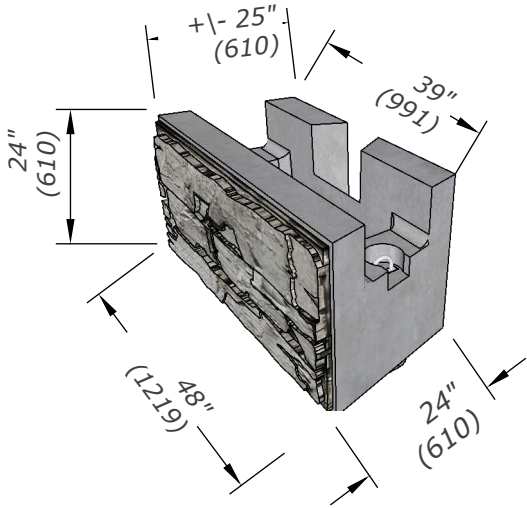


MagnumStone™

by CORNERSTONE®



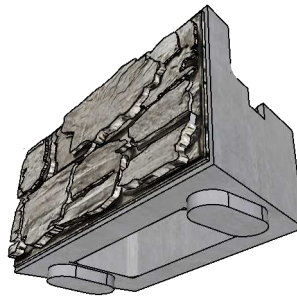
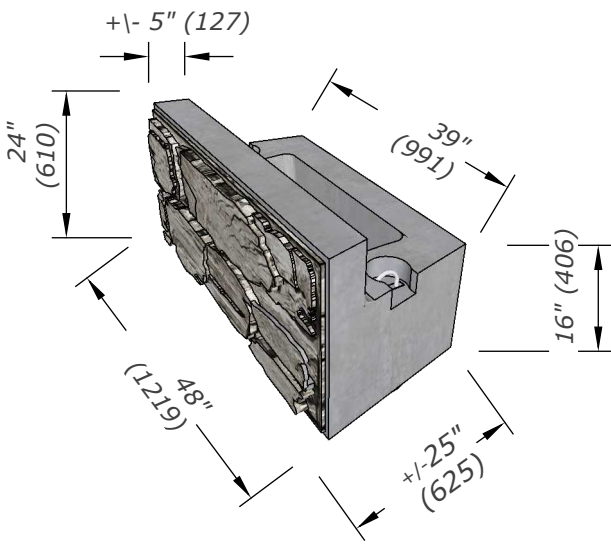
UNIT SPECIFICATIONS GUIDE



STANDARD BLOCK

Height	24"	610mm
Depth	+/-25"	+/-635mm
Face Width	48"	1219mm
Back Width	39"	991mm
Weight	1345 lbs	621 Kgs
Volume Voids	6.1 ft3	0.17 m3
Gravel Fill Weight	2150 lbs	975 Kgs
Face Area	8 sq ft	0.745 m2
Batter/Setback	4.5 / 2.4 / 0 deg	

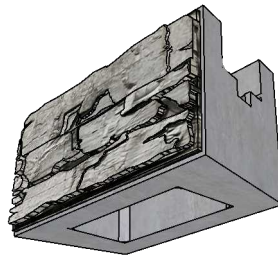
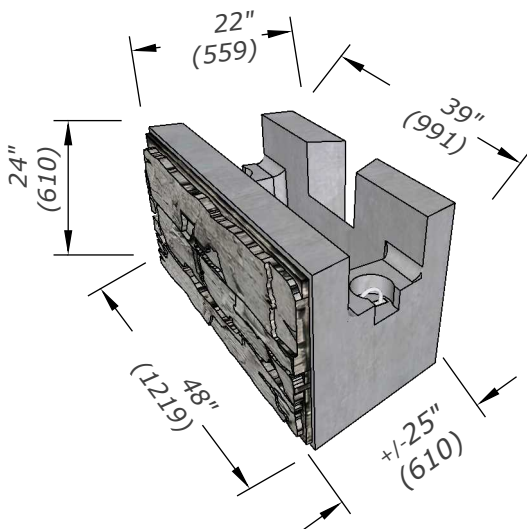
*Face width will vary depending on face textures (check with local producer)



TOP BLOCK

Height	24"	610mm
Depth	+/-25"	+/- 635mm
Face Width	48"	1219mm
Back Width	39"	991mm
Weight	1220 lbs	553 Kgs
Volume Voids	6.1 ft3	0.17 m3
Gravel Fill Weight	2003 lbs	909 Kgs
Face Area	8 sq ft	0.745 m2
Batter/Setback	4.5 / 2.4 / 0 deg	

*Face width will vary depending on face textures (Check with local producer)



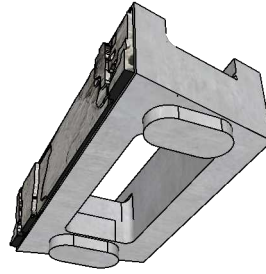
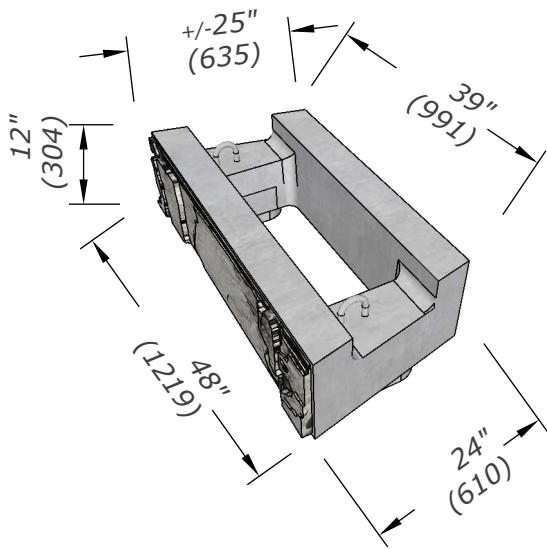
BASE BLOCK

Height	24"	610mm
Depth	+/-25"	+/-635mm
Face Width	48"	1219mm
Back Width	38"	991mm
Weight	1325 lbs	602 Kgs
Volume Voids	6.1 ft3	0.17 m3
Gravel Fill Weight	2130 lbs	966 Kgs
Face Area	8 sq ft	0.745 m2
Batter/Setback	4.5 / 2.4 / 0 deg	

(check with local producer)

*Face Style Varies Check with local producer / Weights and dimensions are nominal
Assumption: Concrete = 143 pcf (22.5 Kn/m3) / Aggregate 110 pcf (5.267)

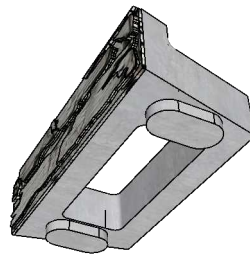
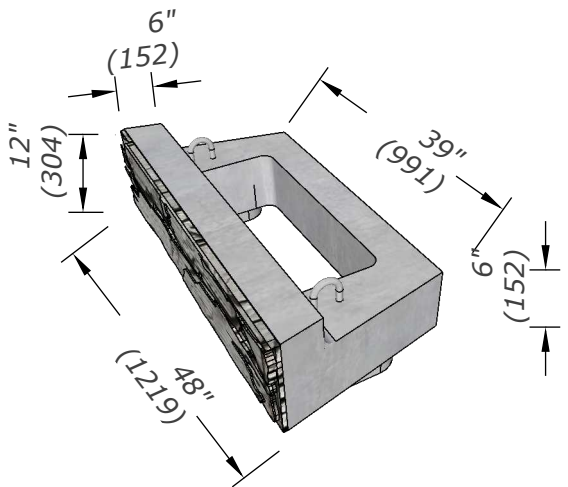
The user is responsible for the final design and use of the CornerStone® products. All drawings, illustrations, and text are accurate to the best of our knowledge but a qualified engineer shall do the analysis and structural design for all aspects of the segmental retaining wall project. The sole responsibility of the suitability of the products or information in this manual lies with the



STANDARD BLOCK

Height	12"	305mm
Depth	+/-25"	+/-635mm
Face Width	48"	1219mm
Back Width	39"	991mm
Weight	750 lbs	340 Kgs
Volume Voids	3.15 ft3	0.09 m3
Gravel Fill Weight	1080 lbs	490 Kgs

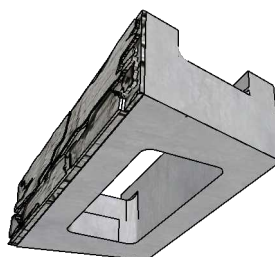
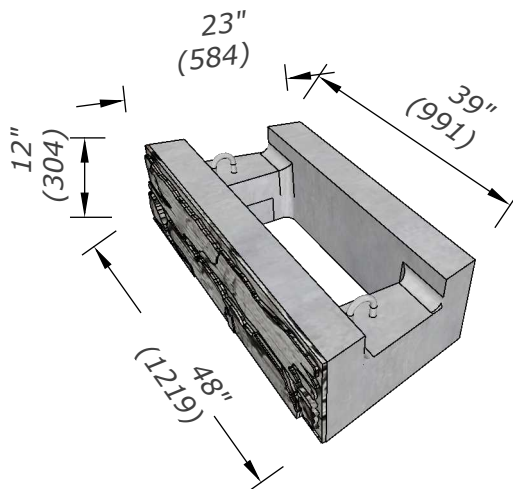
*Face width will vary depending on face textures
(Check with local producer)



TOP BLOCK

Height	12"	305mm
Depth	+/-25"	+/-635mm
Face Width	48"	1219mm
Back Width	39"	991mm
Weight	687 lbs	312 Kgs
Volume Voids	3.15 ft3	0.09 m3
Gravel Fill Weight	1001 lbs	454 Kgs

*Face width will vary depending on face textures
(Check with local producer)



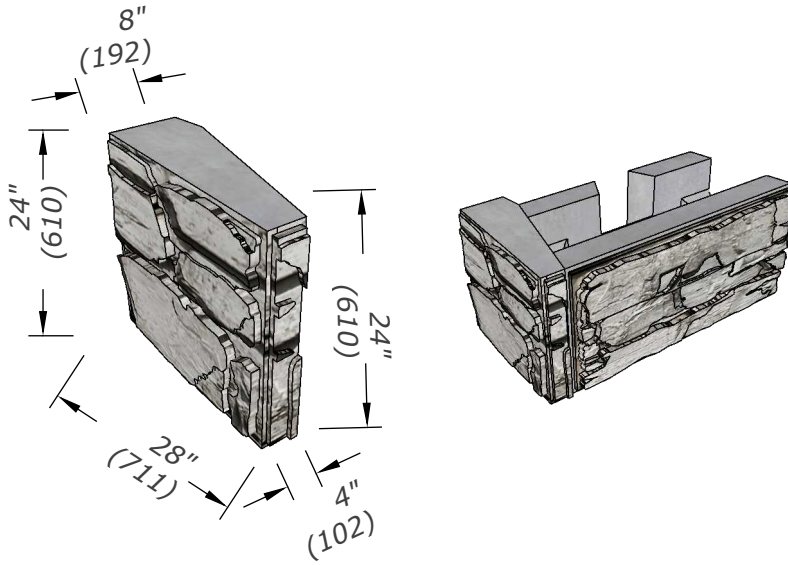
BASE BLOCK

Height	12"	305mm
Depth	+/-25"	+/-635mm
Face Width	48"	1219mm
Back Width	39"	991mm
Weight	725 lbs	328 Kgs
Volume Voids	3.15 ft3	0.09 m3
Gravel Fill Weight	1060 lbs	481 Kgs

*Face width will vary depending on face textures
(Check with local producer)

*Face Style Varies Check with local producer / Weights and dimensions are nominal
Assumption: Concrete = 143 pcf (22.5 Kn/m3) / Aggregate 110 pcf (5.267)

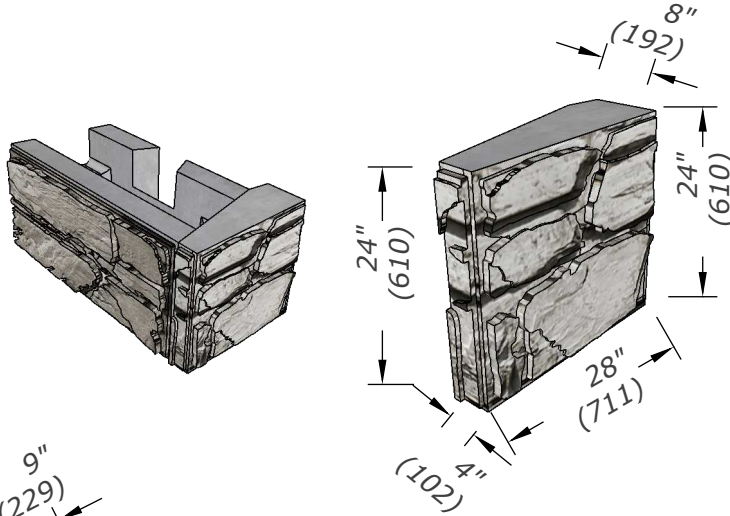
The user is responsible for the final design and use of the CornerStone® products. All drawings, illustrations, and text are accurate to the best of our knowledge but a qualified engineer shall do the analysis and structural design for all aspects of the segmental retaining wall project. The sole responsibility of the suitability of the products or information in this manual lies with the



LEFT END

Height	24"	610mm
Depth	8"	203mm
Narrow Width	48"	1219mm
Weight	340 lbs	154 Kgs
Face Area	4.66 sq2	0.434 m2

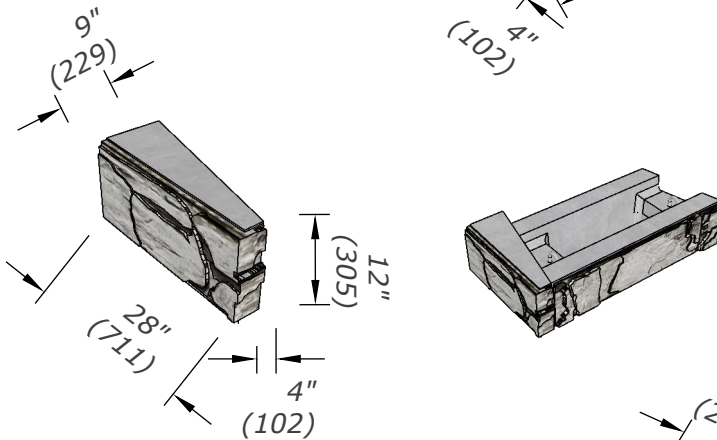
*Face width will vary depending on face textures
(Check with local producer)



RIGHT END

Height	24"	610mm
Depth	8"	203mm
Narrow Width	48"	1219mm
Weight	340 lbs	154 Kgs
Face Area	4.66 sq2	0.434 m2

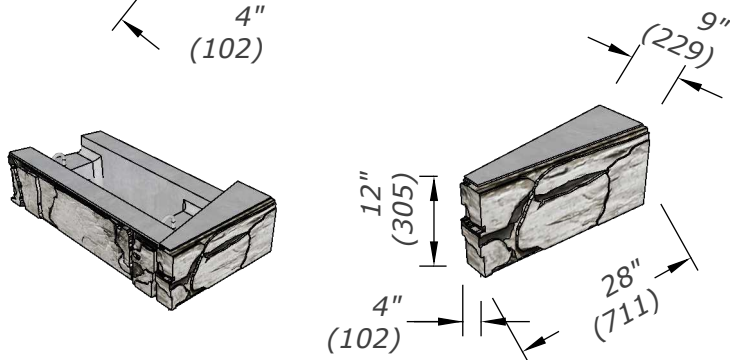
*Face width will vary depending on face textures
(Check with local producer)



LEFT HALF HIGH END

Height	12"	305mm
Depth	9"	229mm
Narrow Width	4"	102mm
Weight	340 lbs	154 Kgs
Face Area	2.33 sq2	0.217 m2

*Face width will vary depending on face textures
(Check with local producer)



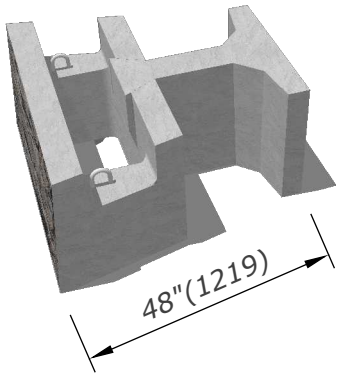
RIGHT HALF HIGH END

Height	12"	305mm
Depth	9"	229mm
Narrow Width	4"	102mm
Weight	340 lbs	154 Kgs
Face Area	2.33 sq2	0.217 m2

*Face width will vary depending on face textures
(Check with local producer)

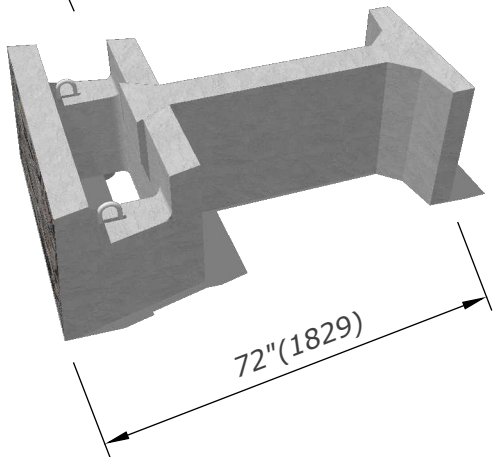
*Face Style Varies Check with local producer / Weights and dimensions are nominal
Assumption: Concrete = 143 pcf (22.5 Kn/m3) / Aggregate 110 pcf (5.267)

The user is responsible for the final design and use of the CornerStone® products. All drawings, illustrations, and text are accurate to the best of our knowledge but a qualified engineer shall do the analysis and structural design for all aspects of the segmental retaining wall project. The sole responsibility of the suitability of the products or information in this manual lies with the



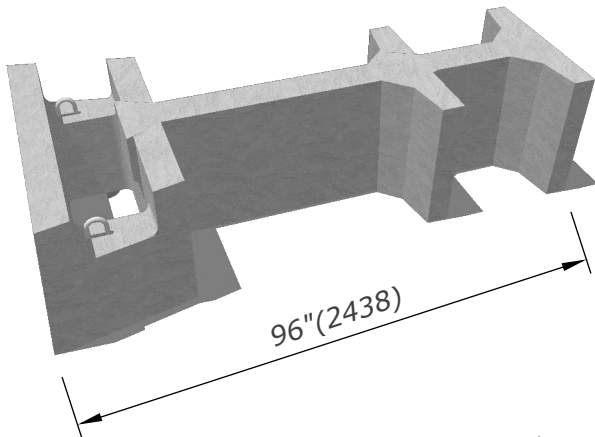
48"(1219)

Height	24"	610mm
Depth	48"	1219mm
Face Width	48"	1219mm
Back Width	39"	991mm
Weight	1920 lbs	870 Kgs
Volume Voids	18.2 ft ³	0.511m ³
Gravel Fill Weight	3925 lbs	1780kg



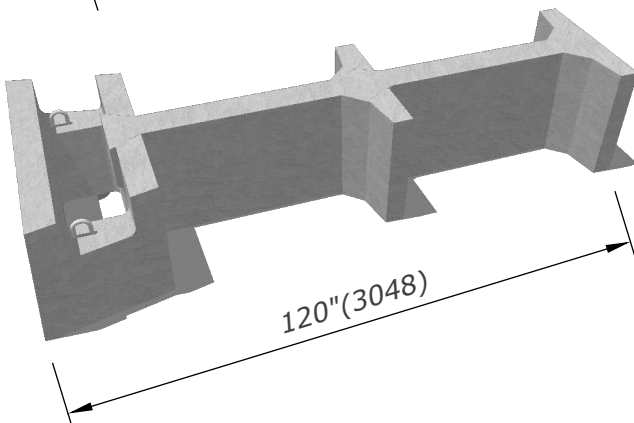
72"(1829)

Height	24"	610mm
Depth	72"	1829mm
Face Width	48"	1219mm
Back Width	39"	991mm
Weight	2220 lbs	1006 Kgs
Volume Voids	31.9 ft ³	0.894m ³
Gravel Fill Weight	5732 lbs	2600 Kg



96"(2438)

Height	24"	610mm
Depth	96"	2438mm
Face Width	48"	1219mm
Back Width	39"	991mm
Weight	2795 lbs	1267 Kgs
Volume Voids	45.4 ft ³	1.271m ³
Gravel Fill Weight	7789 lbs	3533 Kg



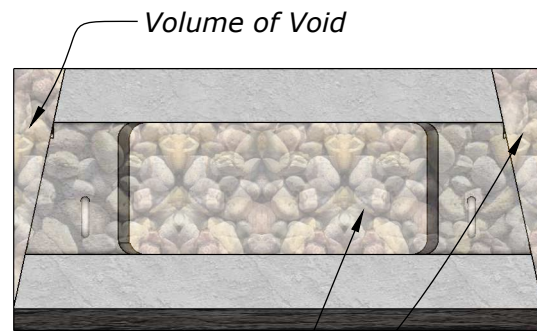
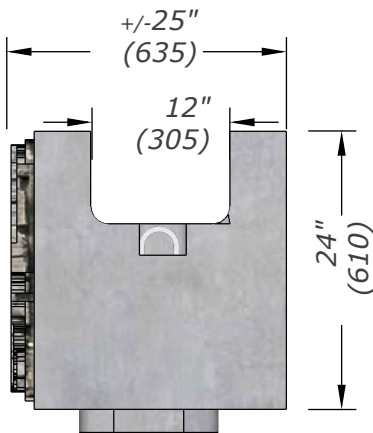
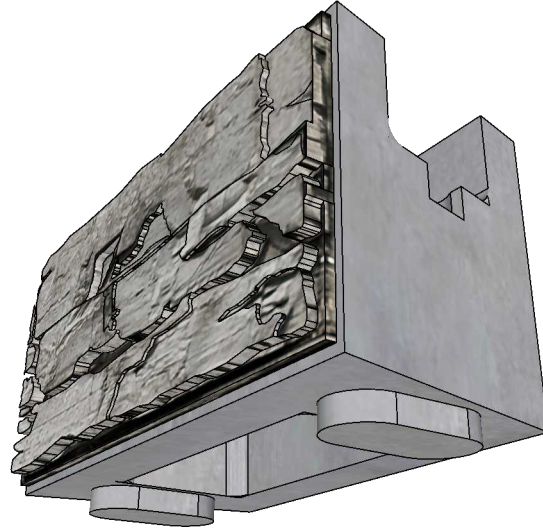
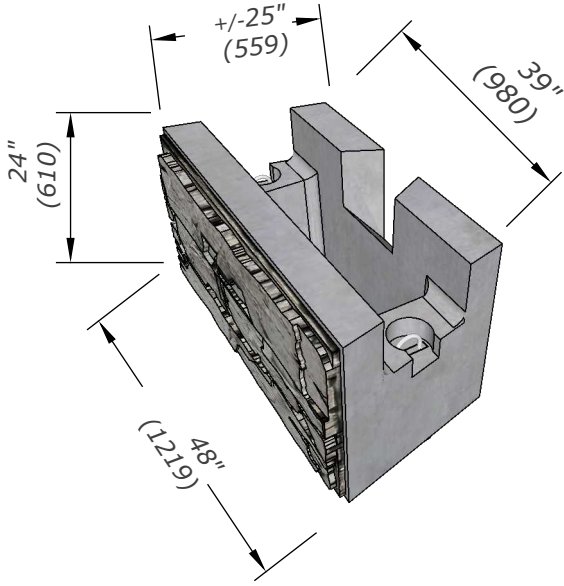
120"(3048)

Height	24"	610mm
Depth	120"	3048mm
Face Width	48"	1219mm
Back Width	39"	991mm
Weight	3098 lbs	1405 Kgs
Volume Voids	54.8 ft ³	1.534m ³
Gravel Fill Weight	9126 lbs	4139 Kg

*All face widths will vary depending on face textures
(Check with local producer)

*Face Style Varies Check with local producer / Weights and dimensions are nominal
Assumption: Concrete = 143 pcf (22.5 Kn/m³) / Aggregate 110 pcf (5.267)

The user is responsible for the final design and use of the CornerStone® products. All drawings, illustrations, and text are accurate to the best of our knowledge but a qualified engineer shall do the analysis and structural design for all aspects of the segmental retaining wall project. The sole responsibility of the suitability of the products or information in this manual lies with the



Volume of Void

*Face width will vary depending on face textures
(Check with local producer)

Unit Specifications

Height	24"	610mm			
Depth	+/- 25"	+/- 635mm			
Face Width	48"	1219mm			
Back Width	39"	991mm	Volume =	9.29 ft ³	2.79m ³
Face Area	8 sq ft	0.74 sm			
Setback	4.5 deg	4.5 deg			
Weight	1345 lbs	621 Kg			
Center of Gravity	10.63"	270 mm			

Aggregate Void

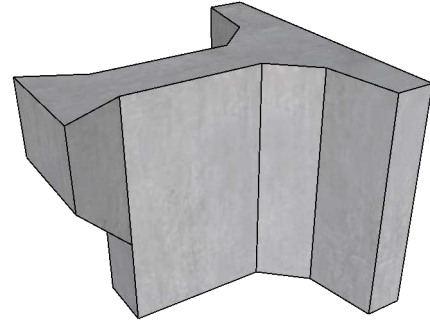
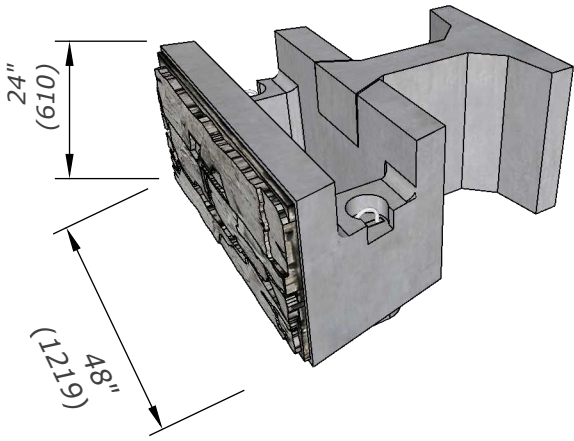
Weight	671lbs	304kg			
Center of Gravity	12.8 in	325mm	Volume =	6.1 ft ³	0.172m ³

Combined = Unit + Aggregate

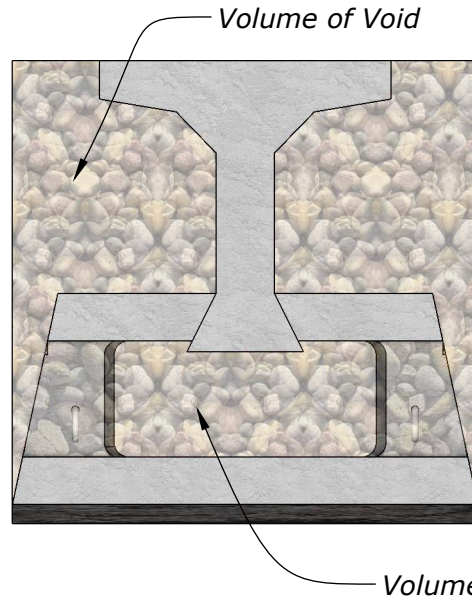
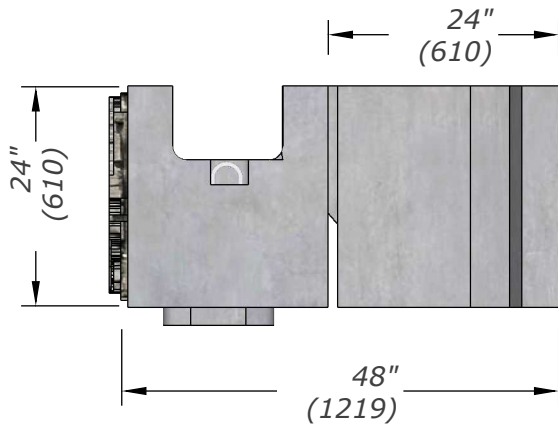
Total Weight	2150lb	975kg	Equivalent Weight =	129.9 pcf	20kNcm
Centroid	11.4"	289mm	Volume =	15.42 ft ³	0.436m ³

*Face Style Varies Check with local producer / Weights and dimensions are nominal
Assumption: Concrete = 143 pcf (22.5 Kn/m³) / Aggregate 110 pcf (5.267)

The user is responsible for the final design and use of the CornerStone® products. All drawings, illustrations, and text are accurate to the best of our knowledge but a qualified engineer shall do the analysis and structural design for all aspects of the segmental retaining wall project. The sole responsibility of the suitability of the products or information in this manual lies with the



WEIGHT 523 lbs 236 Kgs



Unit Specifications

Height	24"	610mm
Depth	48"	1219mm
Face Width	48"	1219mm
Back Width	39"	991mm
Face Area	8 sq ft	0.74 m2
Setback	4.5 deg	4.5 deg
Weight	1920 lbs	870 Kg

Volume = 13.16 ft3 0.373m3

Aggregate Void

Weight	2002 lbs	908kg
Center of Gravity	26.7 in	678mm

Volume = 18.2 ft3 0.511m3

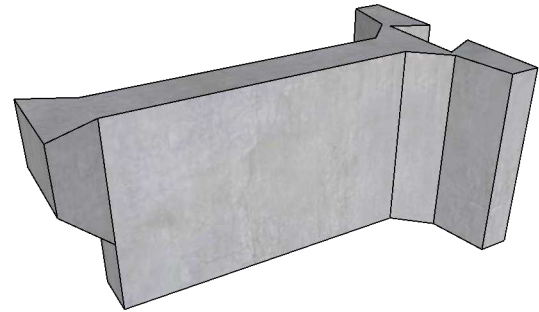
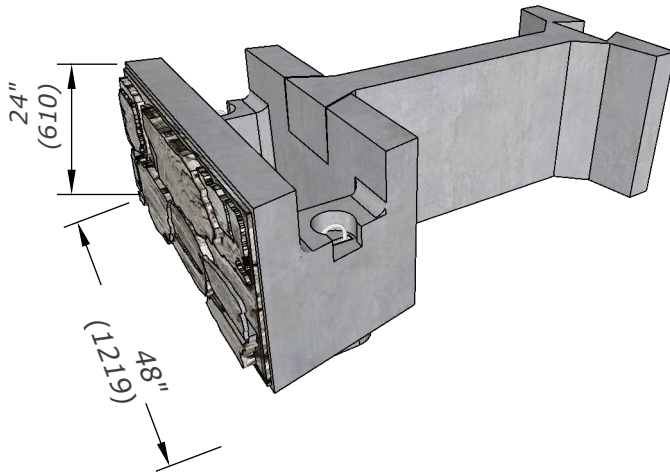
Combined = Unit + Aggregate

Total Weight	3925 lbs	1780kg
Centroid	23"	584mm

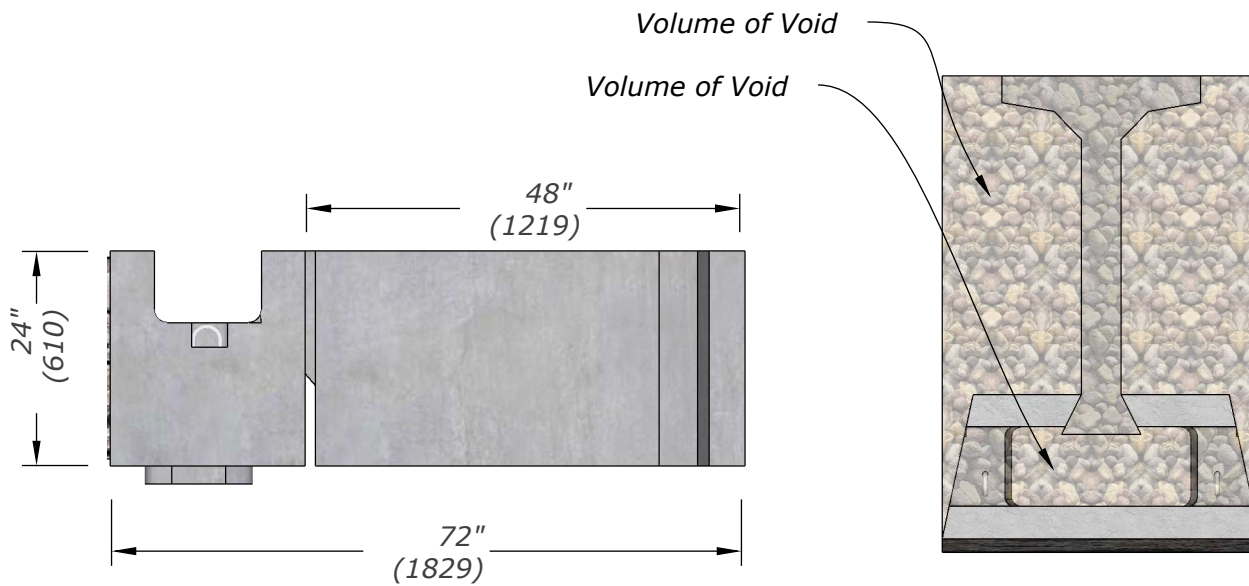
Equivalent Weight = 123.8 pcf 19kNm3
Volume = 31.4 ft3 0.889m3

*Face Style Varies Check with local producer / Weights and dimensions are nominal
Assumption: Concrete = 143 pcf (22.5 Kn/m3) / Aggregate 110 pcf (5.267)

The user is responsible for the final design and use of the CornerStone® products. All drawings, illustrations, and text are accurate to the best of our knowledge but a qualified engineer shall do the analysis and structural design for all aspects of the segmental retaining wall project. The sole responsibility of the suitability of the products or information in this manual lies with the



WEIGHT 820 lbs 372 Kgs



Unit Specifications

Height	24"	610mm
Depth	72"	1829mm
Face Width	48"	1219mm
Back Width	39"	991mm
Face Area	8 sq ft	0.74 m2
Setback	4.5 deg	4.5 deg
Weight	2220 lbs	1006 Kg

Volume = 15.16 ft3 0.429m3

Aggregate Void

Weight	3512lbs	1593kg
Center of Gravity	39.4 in	1001mm

Volume = 31.9 ft3 0.894m3

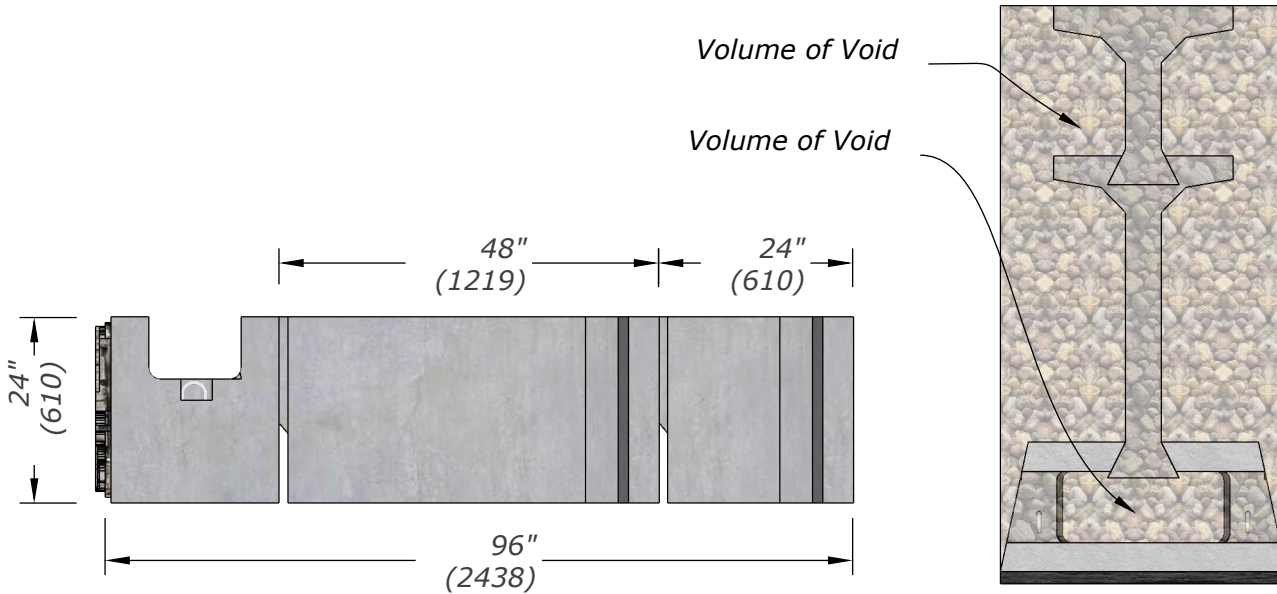
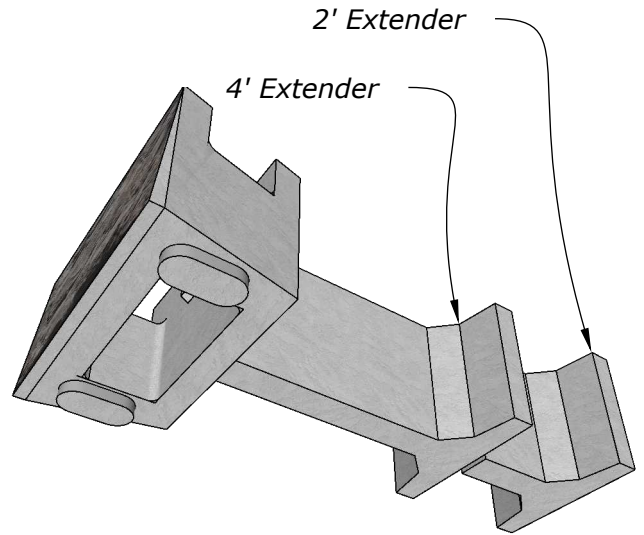
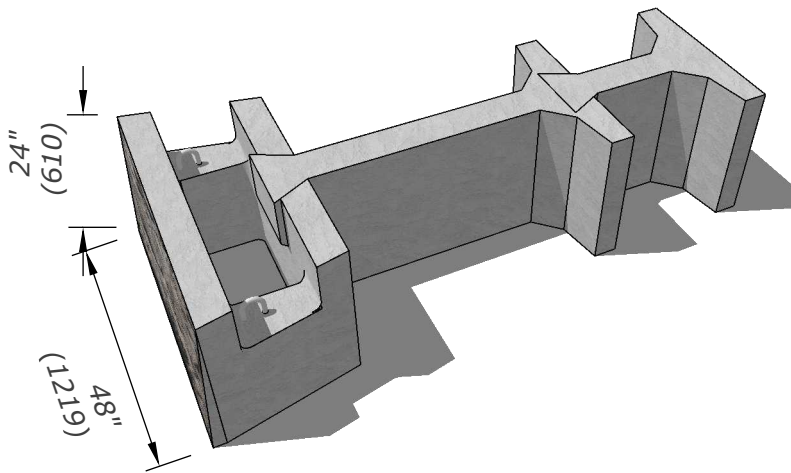
Combined = Unit + Aggregate

Total Weight	5732 lbs	2600kg
Centroid	34.8"	883mm

Equivalent Weight = 120.6 pcf 19kNm3
Volume = 47.10ft3 1.333m3

*Face Style Varies Check with local producer / Weights and dimensions are nominal
Assumption: Concrete = 143 pcf (22.5 Kn/m3) / Aggregate 110 pcf (5.267)

The user is responsible for the final design and use of the CornerStone® products. All drawings, illustrations, and text are accurate to the best of our knowledge but a qualified engineer shall do the analysis and structural design for all aspects of the segmental retaining wall project. The sole responsibility of the suitability of the products or information in this manual lies with the



Unit Specifications

Height	24"	610mm
Depth	96"	2438mm
Face Width	48"	1219mm
Back Width	39"	991mm
Face Area	8 sq ft	0.74 m2
Setback	4.5 deg	4.5 deg
Weight	2795 lbs	1267 Kg

Volume = 19.11 ft3 0.541m3

Aggregate Void

Weight	4993 lbs	2267kg
Center of Gravity	52.9 in	1344mm

Volume = 45.4 ft3 1.271m3

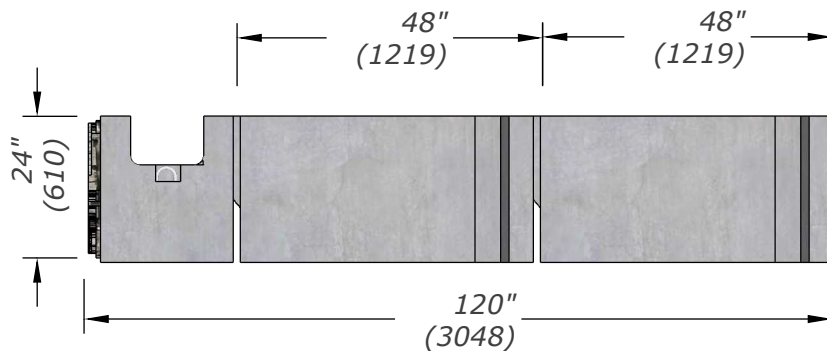
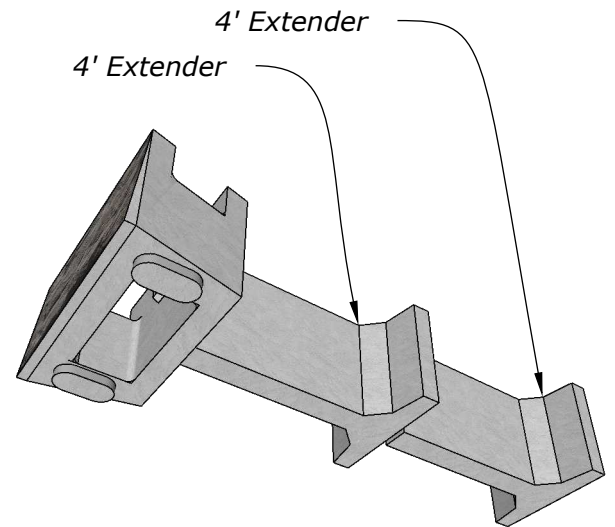
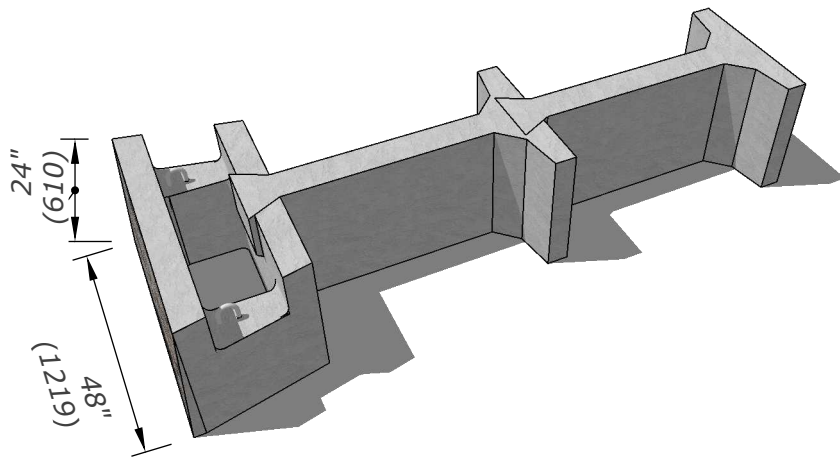
Combined = Unit + Aggregate

Total Weight	7789 lbs	3533kg
Centroid	47.5"	1209mm

Equivalent Weight = 119.8 pcf 19kNm3
Volume = 64.50ft3 1.826m3

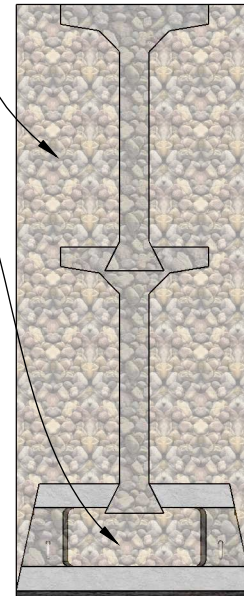
*Face Style Varies Check with local producer / Weights and dimensions are nominal
Assumption: Concrete = 143 pcf (22.5 Kn/m3) / Aggregate 110 pcf (5.267)

The user is responsible for the final design and use of the CornerStone® products. All drawings, illustrations, and text are accurate to the best of our knowledge but a qualified engineer shall do the analysis and structural design for all aspects of the segmental retaining wall project. The sole responsibility of the suitability of the products or information in this manual lies with the



Volume of Void

Volume of Void



Unit Specifications

Height	24"	610mm
Depth	120"	3048mm
Face Width	48"	1219mm
Back Width	39"	991mm
Face Area	8 sq ft	0.74 m ²
Setback	4.5 deg	4.5 deg
Weight	3098 lbs	1405 Kg

Volume = 21.11 ft³ 0.598m³

Aggregate Void

Weight	6028 lbs	2737kg
Center of Gravity	69.17 in	1757mm

Volume = 54.8 ft³ 1.534m³

Combined = Unit + Aggregate

Total Weight	9126 lbs	4139kg
Centroid	62.3"	1583mm

Equivalent Weight = 119.2 pcf 19kNm³
Volume = 75.91ft³ 2.149m³

*Face Style Varies Check with local producer / Weights and dimensions are nominal
Assumption: Concrete = 143 pcf (22.5 Kn/m³) / Aggregate 110 pcf (5.267)

The user is responsible for the final design and use of the CornerStone® products. All drawings, illustrations, and text are accurate to the best of our knowledge but a qualified engineer shall do the analysis and structural design for all aspects of the segmental retaining wall project. The sole responsibility of the suitability of the products or information in this manual lies with the